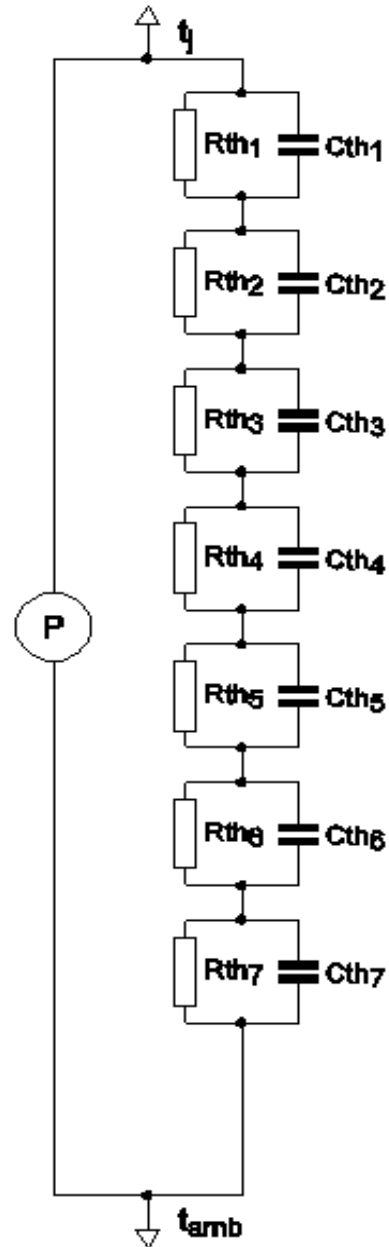


## SPICE thermal model

PSMN5R8-40YS

Symbol	Parameter	Conditions	Min	Typ	Max	Unit
$R_{th(j-mb)}$	thermal resistance from junction to mounting base		-	-	0.81	K/W

$C_{th1}$	3.416E-05 F
$C_{th2}$	1.294E-04 F
$C_{th3}$	2.986E-04 F
$C_{th4}$	1.868E-03 F
$C_{th5}$	3.187E-03 F
$C_{th6}$	3.092E-02 F
$C_{th7}$	1.377E-01 F
$R_{th1}$	2.887E-03 $\Omega$
$R_{th2}$	8.438E-03 $\Omega$
$R_{th3}$	2.955E-02 $\Omega$
$R_{th4}$	6.114E-02 $\Omega$
$R_{th5}$	2.537E-01 $\Omega$
$R_{th6}$	3.674E-01 $\Omega$
$R_{th7}$	8.687E-02 $\Omega$



Part: PSMN5R8-40YS  
 Date: 16/5/2016  
 Model Rth 0.81 K/W